

50HZ



Product Features:

1. Pump casing and impeller are made of highly reinforced plastic. The shaft is using SUS316 material. It is anti-corrosive, anti-oxide, anti-acid and anti-alkali liquids. It keeps water usage safe and clean. The screws and other accessories are using stainless steel materials which make it easier to do the maintenance and dismantlement.
2. ELW series is specifically designed for hot spring circulation application. Pump casing and impeller are made of CFPP(POM) material which is heat-resistant and corrosive-resistant for hot spring. It can avoid rusting problem with stainless steel or cast iron materials.
3. Discharge/suction flanges are using adhesive to connects to the pump. It will solve leakage or damage problems caused by connection to the thread of inlet/ outlet.
4. On top of pump casing, we have designed a cup to fill liquid in. You don't need to design another hole on the pipeline to fill in liquid.

Applications:

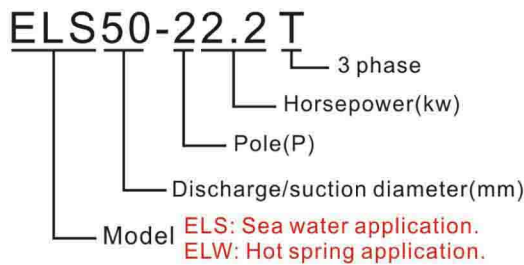
ELS series sea water application:

1. Aquacultural industry or aquarium industry water supply.
2. Sea food restaurant or sea water circulation systems.
3. Cooling tower circulation systems.

ELW series hot spring application:

1. Blue sulphur hot spring, white sulphur hot spring or other types of hot spring circulation systems.

Model Code



Main Parts & Materials:

Name	ELS	ELW
Pump casing	Reinforced plastic	CFPP
Impeller	Reinforced plastic	CFPP
Flanges	PVC or PP	PVC or PP
Mech. seal	CA/CE	CA/CE
Shaft	SUS316	SUS316
Coil	Copper	Copper
Motor casing	FC200	FC200
Screws & other accessories	SUS304	SUS304
Baseplate	ABS	ABS

● We can change mechanical seal material to SIC/SIC(Silicon) depends on customer demands.
● If liquid temperature is above 60 degree celsius, the mech. seal needs change to VITON material.

Motor Spec.:

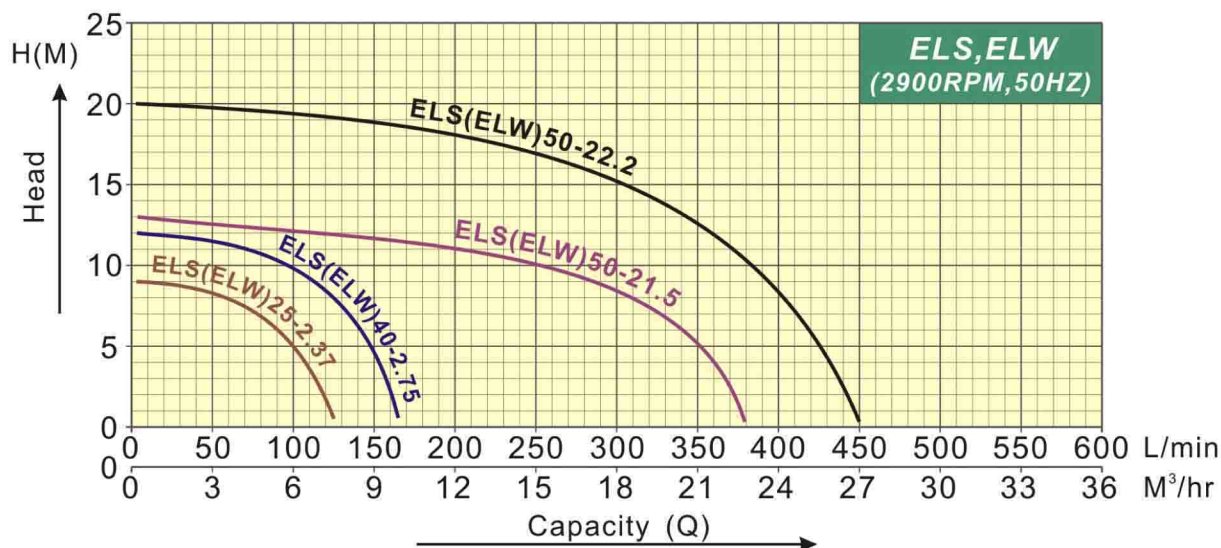
1. 2 pole induction motor.
2. Insulation class: E, B and F.
3. Protection class: IP54.
4. Frequency: 50HZ
5. Voltages: 1 phase 220~240V(Below 2hp)
3 phase 220/380V(50hz)
220/440V(50hz)

● We can custom made special voltage depends on customer demands.

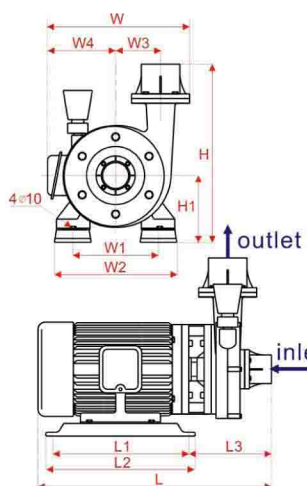
Operating Conditions:

1. Ambient temperature: 0~40°C.
2. Liquid temperature:
ELS series: 0~+50°C.
ELW series: 0~+80°C.
3. Max. head: 20m.
4. Max. capacity: 450 L/min.
5. Max. working pressure: 5 bar.

▲ Performance curves



▲ Dimensions



(Unit:MM)

Model	HP	PH	L	L1	L2	L3	W	W1	W2	W3	W4	H	H1
ELS(ELW)25-2.37	0.5	1	370	190	220	110	230	125	155	70	135	220	100
ELS(ELW)40-2.75	1	1	420	190	220	145	260	140	195	70	155	230	110
ELS(ELW)50-21.5	2	1	420	302	330	150	260	140	195	88	160	235	110
ELS(ELW)25-2.37T	0.5	3	370	190	220	120	230	112	145	70	175	220	95
ELS(ELW)40-2.75T	1	3	370	190	220	120	230	125	155	70	180	220	110
ELS(ELW)50-21.5T	2	3	440	302	330	165	260	140	175	88	180	235	110
ELS(ELW)50-22.2T	3	3	440	302	330	165	260	140	175	88	180	235	110

Remarks: "T" means 3 phase motor.

▲ Specification

(50HZ,2900RPM)

Model	Power HP	Inlet/Outlet INCH	Pole P	PH ϕ	Rated head M	Rated capacity L/MIN	Max. head M	Max. capacity L/MIN	Weight KG		Remark
									1phase	3phase	
ELS25-2.37(T)	0.5	1"	2	1; 3	6	90	9	125	15	12	Sea water
ELS40-2.75(T)	1	1 1/2"	2	1; 3	8	125	12	165	25	15	Sea water
ELS50-21.5(T)	2	2"	2	1; 3	10	250	13	380	30	25	Sea water
ELS50-22.2T	3	2"	2	3	14	325	20	450	---	30	Sea water
ELW25-2.37(T)	0.5	1"	2	1; 3	6	90	9	125	15	12	Hot spring
ELW40-2.75(T)	1	1 1/2"	2	1; 3	8	125	12	165	25	15	Hot spring
ELW50-21.5(T)	2	2"	2	1; 3	10	250	13	380	30	25	Hot spring
ELW50-22.2T	3	2"	2	3	14	325	20	450	---	30	Hot spring

Remarks: "T" means 3 phase.